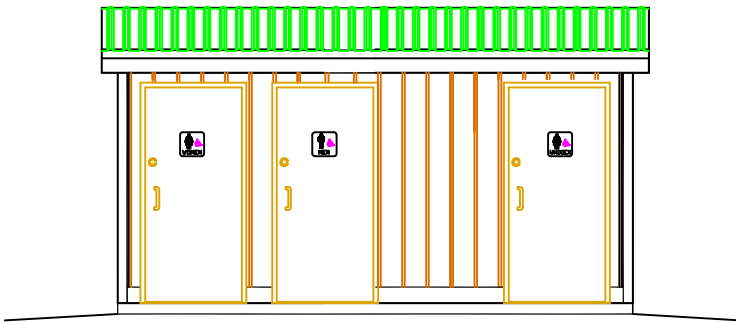
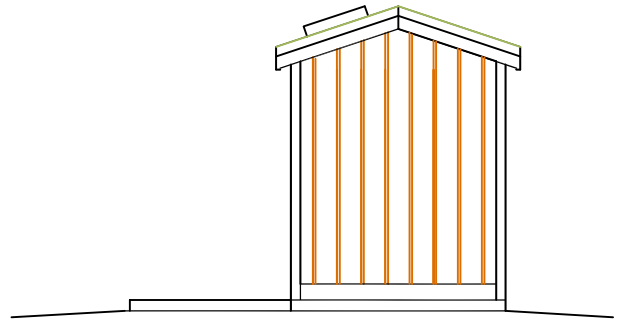


FLOOR PLAN

NOTE:
LANDINGS, WALKWAYS, AND OR RAMPs ARE TO BE
FIELD INSTALLED BY OTHERS AS REQUIRED TO MEET
LOCAL HANDICAP REQUIREMENTS.

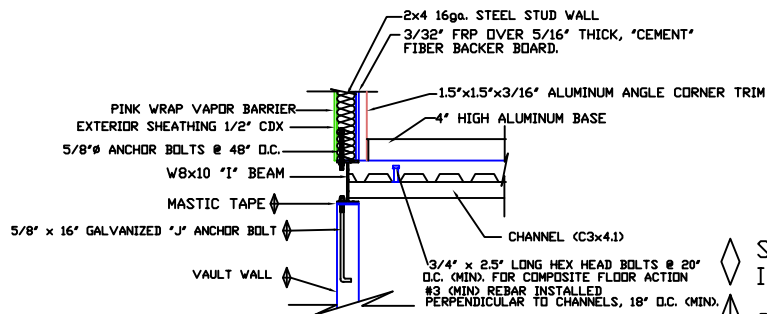


FRONT ELEVATION



RIGHT ELEV.

NOTE:
FRP INTERIOR FINISH TO BE CONTINUOUS
AND SEAMLESS TOP TO BOTTOM AND COR-
NER TO CORNER



ANCHORING SECTION

◇ SYMBOL: SUPPLIED BY MANUFACTURER AND
INSTALLED BY OTHERS.
◇ SYMBOL: SUPPLIED AND INSTALLED BY OTHERS.

MODEL: R40-717VT